

Hyperdrain

Condensate drains



Even the smallest amount of liquid condensate, if carried through the compressed air network, can cause serious damage to apparatus and processes. It is of paramount importance that all condensate is completely removed from the compressed air circuit. The condensate drain is a vital component in any compressed air system; its role is to guarantee an efficient removal of all the condensate and impurities present within the compressed air.

50 years experience has allowed Parker Hiross to develop Hyperdrain, designed to satisfy all customer requirements.

The range comprises zero-loss electronic capacitive drains, zero-loss mechanical float drains and timed drains. Hyperdrain can be used with all components in the compressed air system.



Contact Information:

Parker Hiross S.p.A.
Strada Zona Industriale 4
S. Angelo di Piove PD
Italy

Tel: +39 049 9712 217
Fax: +39 049 9701 911
Email: info@parker.com

www.dh-hiross.com

Product Features:

- No air loss
- No risk of condensate carry-over
- Low maintenance requirements
- Alarm signal

Philosophy

Parker Hiross specialises in cooling, purification, and separation technologies, where compressed air and gas purity, product quality, technological excellence and global support are paramount. We design and manufacture compressed air treatment products and cooling equipment for many key industries where ease of integration, low cost of ownership and energy saving can make the difference.

Parker Hiross has been supplying industry with high efficiency products with low lifetime costs and reduced CO₂ emissions since 1964. Our philosophy 'to stand out from the crowd' is our credo, encouraging our employees to achieve continuous improvement and satisfy customer expectations.



ENGINEERING YOUR SUCCESS.

HDF Zero-loss mechanical float drains



All the benefits, in three steps:

1 - Installation

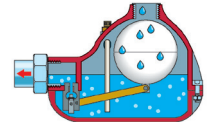
- No need for electrical wiring, as power supply is not required.
- No programming or calibration required, HDF is ready to use.
- Also available with an internal vent line.

2 - Maintenance

- Manual drain valve for system discharge and operational check fitted as standard.

3 - Use

- Large cross section outlet valve opening minimizes the chance of blockages for improved reliability.
- Low velocity condensate outlet ensures that no emulsion is created and supports installation of a static oil/water separator.



CDV Timed drains



The CDV timed drains automatically discharge the condensate following the set cycles:

- drain opening time set
- interval between each opening set

All the benefits, in three steps:

1 - Installation

- Compact dimensions and different voltages available.

2 - Maintenance

- Stainless steel strainer as standard, protects drain from impurities.
- Standard manual drain valve.

3 - Use

- Large condensate inlet & outlet ports prevent blockages.
- Forced drainage patterns ensures reliability, even in the presence of impurities.
- Compact, packaged design guarantee reliable operation even in the most demanding conditions
- Robust construction featuring a stainless steel and brass valve.

HDE-X Zero-loss electronic drains



- Magnetic core level control: guarantees zero compressed air losses and the reliability of operation thanks to the electronic control.
- Separate opening and closing sensors (HDE30X-50X): fewer working cycles and increased reliability.
- Integral dirt screen against impurities: contaminants which could damage the diaphragm valve

are trapped and an alarm activated when the filter is blocked.

- Works with all condensates (including impurities and oil).
- No contact between the electrical parts and the condensate.

All the benefits, in three steps:

1 - Installation

- Condensate inlet (4) rotates for easy top or rear inlet connection (from HDE20X).
- No programming or calibration required.
- Balance line inlet ((3), from HDE20X) for installation ease even in complex situations.

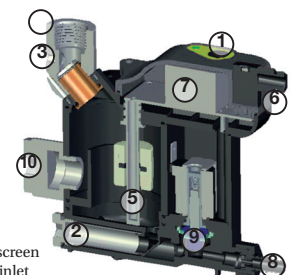
2 - Maintenance

- Easy drain access and easily removable electrical connector (7) simplify maintenance.

3 - Use

- Large cross section diaphragm valve (9) with pilot control improves reliability.

- Alarm lamp (5) warns the user if the condensate cannot be discharged, protecting the system from contamination.
- Standard volt-free alarm contact ((6), HDE30X-50X) allows remote monitoring.
- Special outlet flow regulator (8) to throttle condensate flow, ensures no emulsion is created and supports the oil/water separator installation.

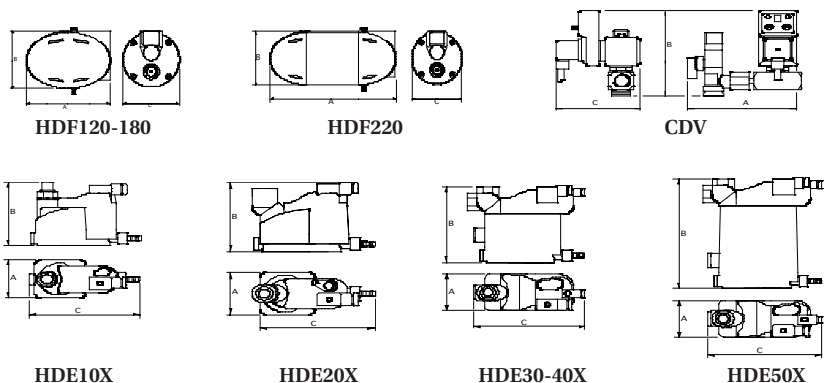


- 1) Alarm lamp
- 2) Integral dirt screen
- 3) Balance line inlet
- 4) Condensate inlet
- 5) Magnetic core level control
- 6) Volt free alarm contact
- 7) Electrical connector
- 8) Outlet flow regulator
- 9) Diaphragm valve
- 10) Bottom condensate inlet (from HDE30X)

Technical data

Model	construction materials			technical data						dimensions (mm)			weight (kg)
	body	float	lever	air/gas flow without dryer		connections		max p.	power supply	A	B	C	
				m ³ /h	m ³ /min	in	out	bar g					
External float drains (with built-in air vent)													
HDF120-A	alumin.	plastic	plastic	5.400	90	1/2"	1/2"	16	-	156	111	108	0,9
HDF180-A	alumin.	plastic	plastic	6.000	100	1"	1/2"	16	-	156	111	108	0,9
HDF220-A	alumin.	plastic	plastic	15.000	250	1"	1/2"	16	-	266	111	108	1,9
External float drains (without air vent)													
HDF120	alumin.	plastic	plastic	5.400	90	1/2"	1/2"	16	-	156	111	108	0,9
HDF180	alumin.	plastic	plastic	6.000	100	1"	1/2"	16	-	156	111	108	0,9
HDF220	alumin.	plastic	plastic	15.000	250	1"	1/2"	16	-	266	111	108	1,9
External float drains (NPT connection – with built in vent)													
HDF120/NPT-A	alumin.	plastic	plastic	5.400	90	1/2" NPT	1/2"	16	-	156	111	108	0,9
HDF180/NPT-A	alumin.	plastic	plastic	6.000	100	1" NPT	1/2"	16	-	156	111	108	0,9
HDF220/NPT-A	alumin.	plastic	plastic	15.000	250	1" NPT	1/2"	16	-	266	111	108	1,9
External float drains BioEnergy													
HDF220BE	alumin.	plastic/ st steel	plastic/ st steel	6.500	108	1"	1/2"	1	-	266	111	108	1,9
Timed drains													
CDV/24V	plastic / brass			9.000	150	1/2"	3/8"	16	24/1/50-60	90	110	90	0,7
CDV/115V	plastic / brass			9.000	150	1/2"	3/8"	16	115/1/50-60	90	110	90	0,7
CDV/230V	plastic / brass			9.000	150	1/2"	3/8"	16	230/1/50-60	90	110	90	0,7
CDV/50barg	plastic / brass			9.000	150	1/2"	1/8"	50	230/1/50-60	90	110	90	0,7
Electronic level sensing drains													
HDE10X	polyamide / aluminium			720*	12*	1 x G 1/2	G 3/8	16	115/1/50-60	67	110	146	0,5
HDE10X	polyamide / aluminium			720*	12*	1 x G 1/2	G 3/8	16	230/1/50-60	67	110	146	0,5
HDE20X	polyamide / aluminium			240	4	1 x G 1/2	G 3/8	16	115/1/50-60	67	101	139	0,6
HDE20X	polyamide / aluminium			240	4	1 x G 1/2	G 3/8	16	230/1/50-60	67	101	139	0,6
HDE30X	polyamide / aluminium			420	7	2 x G 1/2	G 3/8	16	115/1/50-60	67	122	164	1
HDE30X	polyamide / aluminium			420	7	2 x G 1/2	G 3/8	16	230/1/50-60	67	122	164	1
HDE40X	polyamide / aluminium			1.800	30	2 x G 1/2	G 3/8	16	115/1/50-60	67	137	164	1
HDE40X	polyamide / aluminium			1.800	30	2 x G 1/2	G 3/8	16	230/1/50-60	67	137	164	1
HDE50X	polyamide / aluminium			6.000	100	2 x G 1/2	G 3/8	16	115/1/50-60	67	197	164	2
HDE50X	polyamide / aluminium			6.000	100	2 x G 1/2	G 3/8	16	230/1/50-60	67	197	164	2

Performances refer to 35°C compressed air temperature, 25°C ambient temperature, 65% R.H., 3°C pressure dew point (calculations with refrigeration dryer), 7 barg working pressure. Figures for refrigeration dryer and filter assume adequate condensate removal upstream. If installed after the dryer, multiply the condensate drain air flow by 2; if installed after the filter, multiply the air flow by 6.



Parker Worldwide

AE – UAE, Dubai
Tel: +971 4 8127100
parker.me@parker.com

AR – Argentina, Buenos Aires
Tel: +54 3327 44 4129

AT – Austria, Wiener Neustadt
Tel: +43 (0)2622 23501-0
parker.austria@parker.com

AT – Eastern Europe,
Wiener Neustadt
Tel: +43 (0)2622 23501 900
parker.easteurope@parker.com

AU – Australia, Castle Hill
Tel: +61 (0)2-9634 7777

AZ – Azerbaijan, Baku
Tel: +994 50 2233 458
parker.azerbaijan@parker.com

BE/LU – Belgium, Nivelles
Tel: +32 (0)67 280 900
parker.belgium@parker.com

BR – Brazil, Cachoeirinha RS
Tel: +55 51 3470 9144

BY – Belarus, Minsk
Tel: +375 17 209 9399
parker.belarus@parker.com

CA – Canada, Milton, Ontario
Tel: +1 905 693 3000

CH – Switzerland, Etoy
Tel: +41 (0) 21 821 02 30
parker.switzerland@parker.com

CL – Chile, Santiago
Tel: +56 2 623 1216

CN – China, Shanghai
Tel: +86 21 5031 2525

CZ – Czech Republic, Klecany
Tel: +420 284 083 111
parker.czechrepublic@parker.com

DE – Germany, Kaarst
Tel: +49 (0)2131 4016 0
parker.germany@parker.com

DK – Denmark, Ballerup
Tel: +45 43 56 04 00
parker.denmark@parker.com

ES – Spain, Madrid
Tel: +34 902 33 00 01
parker.spain@parker.com

FI – Finland, Vantaa
Tel: +358 (0)20 753 2500
parker.finland@parker.com

FR – France, Contamine s/Arve
Tel: +33 (0)4 50 25 80 25
parker.france@parker.com

GR – Greece, Athens
Tel: +30 210 933 6450
parker.greece@parker.com

HK – Hong Kong
Tel: +852 2428 8008

HU – Hungary, Budapest
Tel: +36 1 220 4155
parker.hungary@parker.com

IE – Ireland, Dublin
Tel: +353 (0)1 466 6370
parker.ireland@parker.com

IN – India, Mumbai
Tel: +91 22 6513 7081-85

IT – Italy, Corsico (MI)
Tel: +39 02 45 19 21
parker.italy@parker.com

JP – Japan, Tokyo
Tel: +(81) 3 6408 3901

KR – South Korea, Seoul
Tel: +82 2 559 0400

KZ – Kazakhstan, Almaty
Tel: +7 7272 505 800
parker.easteurope@parker.com

LV – Latvia, Riga
Tel: +371 6 745 2601
parker.latvia@parker.com

MX – Mexico, Apodaca
Tel: +52 81 8156 6000

MY – Malaysia, Shah Alam
Tel: +60 3 7849 0800

NL – The Netherlands,
Oldenzaal
Tel: +31 (0)541 585 000
parker.nl@parker.com

NO – Norway, Ski
Tel: +47 64 91 10 00
parker.norway@parker.com

NZ – New Zealand, Mt Wellington
Tel: +64 9 574 1744

PL – Poland, Warsaw
Tel: +48 (0)22 573 24 00
parker.poland@parker.com

PT – Portugal, Leca da Palmeira
Tel: +351 22 999 7360
parker.portugal@parker.com

RO – Romania, Bucharest
Tel: +40 21 252 1382
parker.romania@parker.com

RU – Russia, Moscow
Tel: +7 495 645-2156
parker.russia@parker.com

SE – Sweden, Spånga
Tel: +46 (0)8 59 79 50 00
parker.sweden@parker.com

SG – Singapore
Tel: +65 6887 6300

SK – Slovakia, Banská Bystrica
Tel: +421 484 162 252
parker.slovakia@parker.com

SL – Slovenia, Novo Mesto
Tel: +386 7 337 6650
parker.slovenia@parker.com

TH – Thailand, Bangkok
Tel: +662 717 8140

TR – Turkey, Istanbul
Tel: +90 216 4997081
parker.turkey@parker.com

TW – Taiwan, Taipei
Tel: +886 2 2298 8987

UA – Ukraine, Kiev
Tel: +380 44 494 2731
parker.ukraine@parker.com

UK – United Kingdom,
Warwick
Tel: +44 (0)1926 317 878
parker.uk@parker.com

US – USA, Cleveland
Tel: +1 216 896 3000

VE – Venezuela, Caracas
Tel: +58 212 238 5422

ZA – South Africa,
Kempton Park
Tel: +27 (0)11 961 0700
parker.southafrica@parker.com

European Product Information Centre
Free phone: 00 800 27 27 5374
(from AT, BE, CH, CZ, DE, DK, ES, FI, FR, IE,
IT, NL, NO, PL, PT, RU, SE, UK, ZA)

BULDRAIN-00-EN